

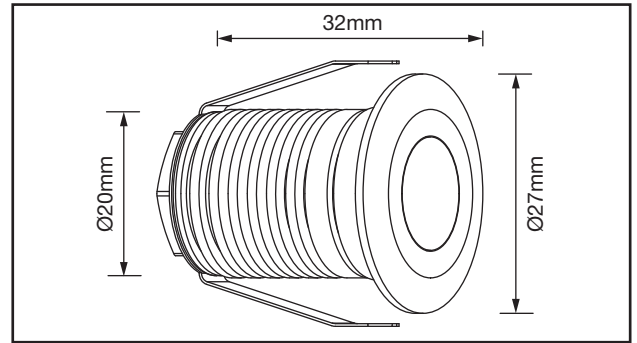
## AGLX020SS

1W IP67 316L Stainless Steel Finish  
Baffle Honeycomb Ground Light



### PRODUCT FEATURES

- IP67 316L Stainless Steel Finish
- Glare-Reducing Honeycomb
- Drive Over Rated (2 Metric Tonnes)\*
- Toughened Flush Glass
- 2 Metre Pre-Wired Tough Rubber Robust Cable For Extreme Outdoor Use
- 350mA Constant Current (Series Wiring)
- 15° Narrow Beam Angle
- Robust Metal Cable Gland



### TECHNICAL SPECIFICATIONS

PRODUCT CODE	AGLX020SS/27	AGLX020SS/30	AGLX020SS/40
Luminous Flux (LM)	76lm	77lm	81lm
Useful Luminous Flux (LM)	76lm	77lm	81lm
CCT (Kelvin)	2700K	3000K	4000K
Beam Angle (°)	15°	15°	15°
SDCM	<6	<6	<6
CRI	>80	>80	>80
Peak Intensity	376cd	408cd	393cd
Operating Voltage (V)	3V	3V	3V
Max Output Power (W)	1W	1W	1W
Operating Current (A Max)	350mA**	350mA**	350mA**
Class	III	III	III
Cut Out	20mm	20mm	20mm
Frame Colour	Stainless Steel	Stainless Steel	Stainless Steel
Switching Cycles	<100,000	<100,000	<100,000
Ingress Protection	IP67	IP67	IP67
Ambient Operating Temperature (°C)	-20°C ~ +50°C	-20°C ~ +50°C	-20°C ~ +50°C
Guarantee	3 Years	3 Years	3 Years
Dimmable	Yes*	Yes*	Yes*
Lifetime (L70 B50)	50,000 Hrs	50,000 Hrs	50,000 Hrs

\*When installed with Mounting Sleeve (included)  
\*When used with a suitable ALL LED dimmable driver  
\*\*350mA driver required (sold separately)

